

# **Chautauqua County 4-H**



## **Dog Show Handbook**

**Rally, Obedience, Agility  
Grooming & Handling**

**2024-2025**



# Table of Contents

Welcome.....	3
Show Dates.....	3
Committee Contact Information.....	4
Rules and Guidelines for Training Groups.....	5
4-H Member Code of Conduct .....	6-7
Obedience Information.....	8–11
Grooming and Handling Information.....	12-15
Showing and Handling Patterns.....	16
Agility Information.....	17-18
Rally-Obedience Information.....	19
NYS Dog Show Dress Code.....	20
Show Time Tips.....	21-22
Recognition and Awards.....	23-24
NYS Fair Dog Show .....	25
Judging Tips.....	26-27
Sample Judges Cards.....	28-30

## **Welcome To The 4-H Dog Program**

The general philosophy of the 4-H Dog Program is not the training of dogs, but rather the training of young people. The dog is used as a medium for this training. In the process of working with your pet, you will be met with challenges, responsibilities, successes and failures; which will help you grow and mature as a person. We hope to have all 4-H members who participate in the Dog Program encounter an enjoyable learning experience. Working with a dog can be an extremely rewarding opportunity, as well as a life long skill. Being able to relate to a dog is a wonderful part of a persons life. We as committee members of the 4-H Dog Program hope to assist in providing the most fulfilling and enjoyable program possible. Our leaders find it personally rewarding working with the 4-H youth and it is our hope that they feel the same. Please feel free to contact any committee member or the 4-H Office with any questions.

Good Luck To You and Your Dog!  
- 4-H Dog Committee Members

## **2024-2025 Show Dates & Fees**

Fees for the Dog Program are \$30.00 for the 1st dog and \$10.00 for any additional dog except in the case for Brace Class

Cloverbud Fee is \$15

*Dog registration fees are non-refundable*

### **Double Show**

Sunday, TBD—10:00 AM

AM—Obedience—Grooming & Handling

PM—Agility—Rally Obedience

Sunday, TBD—10:00 AM

AM—Agility—Rally Obedience

PM—Obedience—Grooming & Handling

Sunday, TBD—10:00 AM

Obedience—Grooming & Handling

Sunday, TBD—10:00 AM

Agility—Rally Obedience

### **Other Important Dates:**

Sunday, April TBD—SUPER DOG SUNDAY— 1:00 PM—5:00 PM—Location TBD

Saturday July 19th—Fun Show, Dunkirk Fairgrounds— Time TBD

Saturday, August TBD—State Fair, Syracuse—9:00 AM

Various Parades - TBD

**Copies of the State Score Sheets can be found at:**  
<http://www.ansci.cornell.edu/Animal-programs/dogs/dog-class-scoresheets>

# 2024-2025 4-H DOG COMMITTEE

Chautauqua County 4-H Office  
@ JCC Carnahan Center  
525 Falconer St., PO Box 20, Jamestown NY 14702-0020  
Phone: 716-664-9502 Fax: 716-664-6327

**Roxanne Young**  
**Chair**  
6825 Route 474  
Panama, NY 14767  
716-338-5292

**Michelle Kuns**  
**Vice Chair/Treasurer**  
44 Douglas St.  
Fredonia, NY 14063  
716-680-4354

**Taylor Young**  
**Secretary**  
6825 Route 474  
Panama, NY 14767  
716-237-0087

**Jack Jones II**  
4 Robbin Hill Rd  
Frewsburg, NY  
716-499-1107

**Katrina Jones**  
4 Robbin Hill Rd  
Frewsburg, NY  
716-450-2850

**Jeanette Almekinder**  
2458 Mina French Creek Rd  
Clymer, NY 14724  
716-456-1197

**Matthew Brown**  
44 Douglas St.  
Fredonia, NY 14063

## Dog Project Meetings

Wednesday, October 16th	6:30 PM	JCC
Wednesday, November 20th	6:30 PM	JCC
Wednesday, December 18th	6:30PM	JCC
Wednesday, January 15th	6:30PM	JCC
Wednesday, February 19th	6:30PM	JCC
Wednesday, March 19th	6:30PM	JCC
Sunday, April TBD	1:00PM—5:00 PM	TBD
Wednesday, May 14th	6:30PM	JCC
June & July	Dog Shows at 4-H Acres	Dates TBD
Wednesday, August 6th	6:30 PM	JCC
Saturday, July 20th	1:00PM	Fair Fun Show
Wednesday, September 11th <i>turn in record books</i>	6:30 PM	JCC

## Chautauqua County 4-H Division

### Rules & Guidelines for Training Groups

1. Attend the classes regularly.
2. Work with your dog (homework) during the week. The sessions are to show you what to do, you must train your dog at home.
3. No dogs can enter the program without proper shots (Rabies, Distemper, Parvo Virus and Kennel Cough Vaccine). **PROOF MUST BE TURNED IN WITH 4-H MEMBER INFORMATION SHEET**
4. Dogs must have a flat collar, snap collar or plain harness and leash for training by the second dog training.
5. Any dog that cannot be managed by the handler will be dismissed from the class.
6. Abuse of an animal will not be tolerated! This includes kicking, hitting or slamming a dog to the ground to make it obey.
7. No dogs in season will be allowed at classes or shows. Notify your leader as to why you will not be attending. You may come to watch without your dog.
8. We suggest that when class is inside; taking your dog out occasionally to avoid accidents inside. Members must clean up after their dog. This is part of being a responsible dog owner. Always be sure to have a fresh supply of water available for your dogs at shows and trainings
9. We suggest you do not feed your dog five hours before class or shows. However, some dogs perform better when fed, use your own judgment.
10. Cell phone use is prohibited once you are called to your class. Offenders will be disqualified.

**PARENTS**– Please pick up your children and dogs promptly after the meetings out of respect for our volunteer trainers. Thank you.

## 4-H MEMBER CODE OF CONDUCT

Standards of expected behavior are established by the 4-H Youth Development Program Committee and will be shared by Cornell Cooperative Extension staff, volunteers, or chaperones with all youth participating in 4-H events. These behaviors are expected of all youth while participating in 4-H events and activities. Leaders and/or Chaperones at any 4-H event will be enforcing the code. All enrolled 4-H members will receive and sign-off on the 4-H Code of Conduct.

### **Expected Behavior:**

All participants are to refrain from disruptive use of social media, email, text, or IM. It is acknowledged by the Chautauqua County 4-H that social media may be used to promote, encourage, and display county pride and club/program unity. It is also a good way to communicate club/program news and notes. Chautauqua County 4-H also acknowledges that social media can be used in disruptive and destructive ways such as, but not limited to, bullying, taunting, intimidation, and slander. Use of social media in these ways, including but not limited to posting or distributing literature or material containing a threat of violence, injury or harm, slanderous accusations or depicting violent actions against members, volunteers or staff is strictly prohibited.

All participants are expected to be responsive to the reasonable requests of the adult in charge at the time given.

All participants are expected to participate in all of the planned programs, to be on time and follow through on assigned tasks/responsibilities in a manner that ensures the safety, well-being, and quality of the educational experience for self and others.

All participants will act in a mature, responsible manner, recognizing they are role models for others and are representing themselves and the County 4-H Youth Development Program.

All participants will be dressed appropriately for the event. Dress will depend on the event. Information given prior to the event will state the type of clothing that is appropriate.

All participants will be considerate and courteous of all youth and adults and their property.

All participants will respect the rights and opinions of others realizing the strengths of diversity.

All participants are to refrain from the possession and/or use of illegal drugs, tobacco products, or alcoholic beverages, firearms and/or other weapons at all times. These are prohibited.

All participants are to refrain from excessive romantic displays, sexual activities, harassment and hazing either in public or private situations. These actions will not be tolerated.

\*\*Regarding disciplinary action, a witness must submit a written and signed statement of the incident to the 4-H Issue Leader within 10 days of knowledge of the issue, before action will be taken by the 4-H Office or 4-H Youth Development Program Committee.

**Consequences** Any of the following may be used, depending on severity of the situation. Each severe case will be reviewed by the 4-H Issue Leader and 4-H Youth Development Program Committee.

In mild cases, a warning will be given (written or verbal).

Able to remain at event but possibly barred from a future event.

Loss of awards and/or premiums if applicable.

Sent home from event at family's expense, followed by a Review Board consisting of individual(s), 4-H Youth Development Program Committee members and the individual's parents/guardians.

## 4-H MEMBER CODE OF CONDUCT (Continued)

### VIOLENCE OR EXTREME BEHAVIOR OF 4-H MEMBERS

If a 4-H Member is engaged in a "PROHIBITED" behavior (see #7 of 4-H Member Code of Conduct) they will be immediately suspended from the 4-H Program and the act will be reviewed by the 4-H Youth Development Program Committee. Based on the severity of the situation, the 4-H member may be permanently dismissed from the 4-H Program and legal authorities may be called. The 4-H Youth Development Program Committee will make a final decision on 4-H Membership based on their review of the situation.

### RELEASING 4-H MEMBERS FROM 4-H PROJECT or PROGRAM

Membership Is Not Permanent - Must Remain In Good Standing - It costs a considerable amount in public funds and much time and effort to serve a 4-H member. With rapid expansion of program and extension of youth programs to new audiences, it is increasingly important not to waste time and money on those who are interfering in any way with the progress of the overall educational program.

Canceling of Membership - This shall be decided by the 4-H Issue Leader and 4-H Youth Development Program Committee and carried out by the Cornell Cooperative Extension Issue Leader.



# Dog Obedience Classes

Copies of the State Score Sheets can be found at:  
[http://www.ansci.cornell.edu/4H/dog\\_scores.html](http://www.ansci.cornell.edu/4H/dog_scores.html)

## Class 1– Beginner A

For 4-H'ers that have not previously trained a dog beyond the beginner level, are 1st or 2nd year obedience handlers, or have not obtained an AKC or equivalent obedience title for any dog. The dogs in this class must not have received a blue ribbon in Beginners A, at the state level, or obtained an AKC title or BN. The exercises with scoring breakdown are:

1. Heel on leash (with Rally-O signs)-40 points
2. Figure Eight on leash—40 points
3. Sit for Exam on leash—40 points
4. Sit Stay—40 points
5. Recall—40 points

**\*All Beginner A exercises are all on 6' Lead**

Maximum total—200 points

## Class 2 - Beginner B

For 4-H'ers that are in their second year or older with a new dog. The scoring and exercises will be the same as Class 1.

Dogs receiving a blue in this class, at the state level, **MUST** move to Beginner C or higher.

## Class 3– Beginner C

For 4-H'ers who have previously trained a dog beyond the Beginner level, are 3rd or higher year handlers, or have obtained an AKC or equivalent obedience title on any dog or more advanced levels of obedience. Dogs must not have graduated beyond the Beginner level. Exercises and maximum possible points are the same as in Beginner A. Dogs receiving a blue in this class **MUST** move to Graduate Beginner. 6' Lead

\*AKC Beginner Novice rules will be followed.

## Class 4– Graduate Beginner A

For 4-H'ers who have not previously trained a dog beyond the Graduate Beginner level. Dogs must not have graduated beyond the Graduate Beginner level. Exercise and maximum possible points:

1. Heel on Lead and Figure 8 on Lead—40 points
2. Stand for Examination off Lead—40 points
3. Recall off Lead—40 points
4. Long sit off Lead 1 minute—40 points
5. Long down off lead 1 minute—40 points

Maximum Total Score—200 points

Dogs receiving a blue ribbon in this class **MUST** move to Novice.

## Class 5– Graduate Beginner B

For 4-H'ers who have previously trained a dog in graduate beginner or more advanced levels of obedience. Dogs must not have graduated beyond the Graduate Beginner A. Dogs receiving a blue ribbon in this class **MUST** move to Novice.

### **Class 6– Novice A**

For dogs that have completed the Novice course of instruction but have not had training beyond this level. The Heel on Leash and the Figure 8 will be done on lead; Heel off Leash and the remaining exercises will be done off lead. Scored on the basis of 200 points. Dogs must not have completed the third leg of their CD degree if competing in AKC competition. No 1/2 points for sits and downs.

### **Class 7– Novice B**

Exercises same as Novice A. For members who have previously trained a dog in Novice or more advanced levels of training. Dogs must not have had training beyond the Novice level. Participants who have previously participated in Novice A and did not receive a blue ribbon may compete in this class. Scored on the basis of 200 points. No 1/2 points for sits and downs.

### **Class 8– Advanced Novice**

For 4-H'ers and dogs who have not graduated beyond the Advanced Novice level of obedience. Dogs may have earned a CD title but not a Companion Dog Excellence (CDX) title (or the equivalent). Other than the Heel on Leash, all exercises will be performed with the dog off leash. Maximum possible score will be 200 points. Open to any handler and dog beyond the Novice level but not ready for the Graduate Novice. Sits and downs out of sight.

### **Class 9– Graduate Novice**

Dogs may not have earned a CDX or equivalent title, unless the titles was earned within 60 days of the show. The exercises are: Heel Free, Figure 8, Drop on Recall, Dumbbell Recall, Recall over High Jump, Recall over Broad Jump and Long Down. The maximum possible score is 200 points. Open to any handler and dog beyond the Novice level but not ready for open class (due to training and/or physical ability of dog). Long down out of sight.

### **Class 10– Open A**

For 4-H'ers and dogs who have not graduated beyond the Open level of obedience. Dogs may have earned a CD degree but not a CDX, unless the CDX was earned within 60 days of the show. All exercises will be performed with the dog off leash (Heel Free, Figure 8, Drop of Recall, Retrieve on Flat, Retrieve over High Jump, Broad Jump, Long Sit, Handlers Out of Sight (3 minutes), long down, Handlers Out of Sight (5 minutes)). Maximum possible score will be 200 points.

### **Class 11– Open B**

For 4-H'ers and dogs who have not graduated beyond the Open level of obedience. Dogs who may have received their CDX, but are not ready to enter Utility, may participate in Open B. All exercises and scoring are the same as Open A. Maximum possible score is 200 points.

### **Class 12-Utility**

For dogs that have trained beyond the Open Class Level. Dogs may have earned a CDX but not an UT (Utility Degree) in AKC competition. All exercises will be performed off leash (Signal Exercise, Scent Discrimination (one metal article and one leather article), Directed Retrieve, Moving Stand, Examination and Directed Jumping). Maximum possible score will be 200 points. Dogs may repeat in this class regardless of point score or ribbon placing in the Utility class at previous State Fair shows.

### **Class 13-Clover Bud**

Follows the beginner A class using a special score sheet.

## Dog Obedience Other Classes

You may participate in any of these classes in addition to Obedience Classes on previous page

### Class 14– Brace Class

For one 4-H'er with two dogs, at least one of the dogs being owned by the 4-H'er handling the Brace. The two dogs may be different breeds. Exercises will be performed as in Graduate Beginners with 160 points maximum for: Heel on Leash and Figure 8; and 60 points for each Stand for Examination, Recall, Long Sit and Long Down. Beginner A & B Obedience dogs are not eligible for Brace. Dogs must be working at the Graduate Beginner Level. Maximum possible score is 400 points. The same two Dogs cannot be used with a different 4-Her in Brace. Max. 2 State Fair

### Class 15– Beginners Brace Class

Same as above except class will be open to any dog with Beginners A training and following Beginners Novice A rules . All exercises will be done on leash. There will be **NO STATE FAIR REPRESENTATIVES** in this class. Once a contestant has earned two blue ribbons, they must move into the Brace Class. The same two Dogs cannot be used with a different 4-Her in Brace.

### Class 16– The Four Person Team

Teams will consist of four 4-H'ers with their four dogs, simultaneously performing Graduate Beginner exercises. Dogs must be working at the Graduate Beginner Level to participate. The Heel on Leash and the Figure 8 will be done on lead. The Stand for Examination and the Recall will be done off lead; each dog will be called individually. The Long Sit (1 minute) and the Long Down (3 minutes) will be done off lead with the handler in sight. The Graduate Beginners scorecard will be used in judging. Dogs in this class may repeat if they can qualify at the county level. At the State Fair Level Team Members are expected to coordinate dress. Max. 2 State Fair

### Class 17– Beginner Four Person Team

Same as above except that they will perform at a Beginner A level. This is a county class only; there will be **NO STATE FAIR REPRESENTATIVES** in this class. It is designated for fun and the experience for those who wish to participate.

### Class 18– The Drill Team

Class will be composed of eight (8) or more dogs and their trainers who will perform a detailed drill of their own design. Trainers may wish to dress alike and perform to music. Dogs may be dressed to add further color. Drill should be at least five (5) but not exceed eight (8) minutes in length. Points will be deducted if these limits are not met, the team will be scored on dog obedience, accomplishment of routine and skill of handler. Judges will be seated in bleachers while judging.

### SPECIAL NOTE

Any animal that fouls the county show ring (eliminates or defecates) will lose points as follows:

- Beginner Classes
  - – 5 Points
- Graduate Beginners, Novice, Advanced Novice, Open & Utility Classes
  - – 10 points
- In all Obedience Classes at **State Fair** you will receive a **zero for fouling a ring!**
- All judges in all classes have the authority to deduct up to 30 points in accordance with NYS showing dress code at their discretion.

## **Grooming & Handling Classes**

Grooming & Handling is a class that you get to show off how wonderful you and your dog look, as well as how well you have learned to handle your dog on a leash while showing off its best gait and pose.

**There are three different Grooming & Handling Classes that you may enter at the shows.**

### **Class 20– State Fair Grooming & Handling Class**

**(State Fair Class)** For members wishing to compete for State Fair. You may register for this class no matter how many years you have shown your dog. The top three participants in each division within this class will qualify for State Fair.

**A. Grooming & Handling A–** For any 4-H'er who has never qualified or competed at State Fair in Grooming and Handling. County Grand and Reserve Champions must move up to the next class. The handler must not have qualified for the Open Class of Junior Showmanship at an AKC Show.

**I. Open A Junior** - Ages 9-13 (As of January 1) Max. 2 State Fair

**II. Open A Senior** - Ages 14-19 (As of January 1) Max. 2 State Fair

**B. Grooming & Handling B–** For any 4-H'er who has qualified (County Grand and Reserve Champions) or shown at State Fair in Grooming & Handling A.

**I. Open B Junior** - Ages 9-13 (As of January 1) Max. 2 State Fair

**II. Open B Senior** - Ages 14-19 (As of January 1) Max. 2 State Fair

**C. Grooming & Handling C–** Have previously been a Grooming and Handling B State Fair Champion and/or have qualified for the Open Class of Junior Showmanship at an AKC Show.

## Grooming and Handling Information

### **Posing Your Dog**

Place the front legs first squarely under him, the toes pointed straight ahead. Set one leg at a time by lifting the dog's leg at the elbows and carefully placing it on the ground in proper position. Move the rear feet far enough back so that the pasterns (often called hocks) are perpendicular to the ground. The toes should point straight forward. This is the stance for most breeds. The German Shepherd is posed with one of the rear legs forward with tail laid across the other, the back should hold up the head. Most dogs are shown with a "show leash" which serves as both a leash and as a collar. The position of the tail varies greatly between breeds. Study pictures of champions in breed magazines to determine the correct position of your breed.

### **Suggestions for Grooming & Handling Class**

Dogs may be purebred and registered or have mixed breeding. In the Grooming & Handling Class, dogs of mixed breeding should be groomed and shown to the predominate breed.

1. The dog must be shown and trained by the 4-H member.
2. 4-H members with breeds which require clipping or plucking such as poodles and terriers, may have this done by a professional although the 4-H members are encouraged to learn to do this for themselves. **The 4-H member MUST do:** shampooing, brushing, combing, cleaning the ears, trimming the toe nails and all other preparation and training of their dog.
3. When the class is called, participants should enter the ring with their dogs on their left side and move in a counter clockwise position. They should move in a circle with the judge standing in the center. You will move your dog at both the walk and the trot, the judge will then ask you to line up side by side. Your dog should carry himself attractively with head and tail (of most breeds) held high. His gait should be straight with the direction in which he is going. At the direction of the judge, the dogs will be line-up head to tail. Pose your dog quickly, leaving 4 or 5 feet of space between your dog and the one in front of it (or space appropriate to the number of dogs in the class and ring space). You will be able to present your dog best if you are not crowded. Pose your dog customary to the breed. The judge will then ask each person to bring his dog forward for inspection. The dog will be presented in the standing position. Dogs, which are small, are sometimes presented to the judge on a table for convenience.
4. The judge will examine your dog's teeth to see if his bite is correct. You will lift the dog's lips for the judge. Practice showing your dog's bite with someone your dog doesn't know so that your dog will not object to the unknown judge.

5. Following the examination, the dog will be observed at the walk trot depending upon the breed and using one of the following patterns. Medium size and large breeds will go the entire pattern at a lively trot. The toy breeds will travel at a brisk walk. When returning to the judge, pose your dog quickly keeping him between yourself and the judge.
6. It is courteous to thank the judge upon leaving the ring as the class ends, and when performing a courtesy turn.
7. Nothing should come between the judge and the view of the dog. Never stand between the judge and the dog. Shirt ties need to be held back with tie clips or pins.
8. Be prepared to answer the judge's questions. For beginners, you will be required to know your dog's breed and its purpose. The more experienced classes will need to answer questions varying from parts of the dog, to number of teeth and gestation period.
9. At State Fair, dog knowledge questions and appearance will be done first at a separate location and may also be done at the County level.

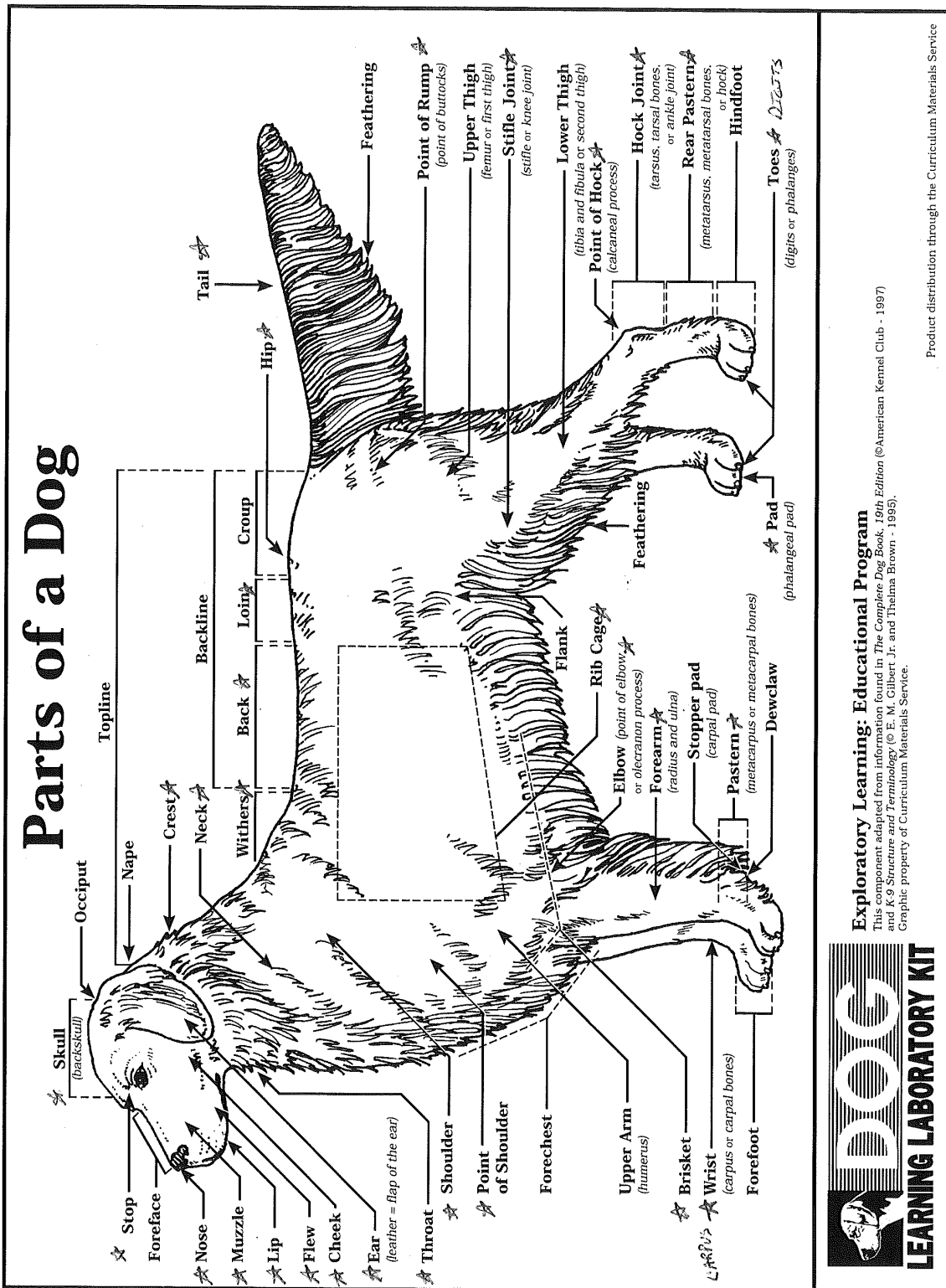
**Listen carefully to the judge and follow their directions precisely.**  
**If you do not understand, ask!**



dog\_show www.fotosearch.com

# Grooming and Handling Information

Use this poster in conjunction with Match the correct part names with their locations on the diagram situation/task statement and Parts of a Dog identification tags.



\* **Beginners**



**Exploratory Learning: Educational Program**  
 This component adapted from information found in *The Complete Dog Book, 19th Edition* © American Kennel Club - 1997 and *K-9 Structure and Terminology* © E. M. Gilbert, Jr. and Thelma Brown - 1995.  
 Graphic property of Curriculum Materials Service.

Product distribution through the Curriculum Materials Service

# Showing & Handling Patterns

Note: Dog **Should Always** Be Between Judge and Handler

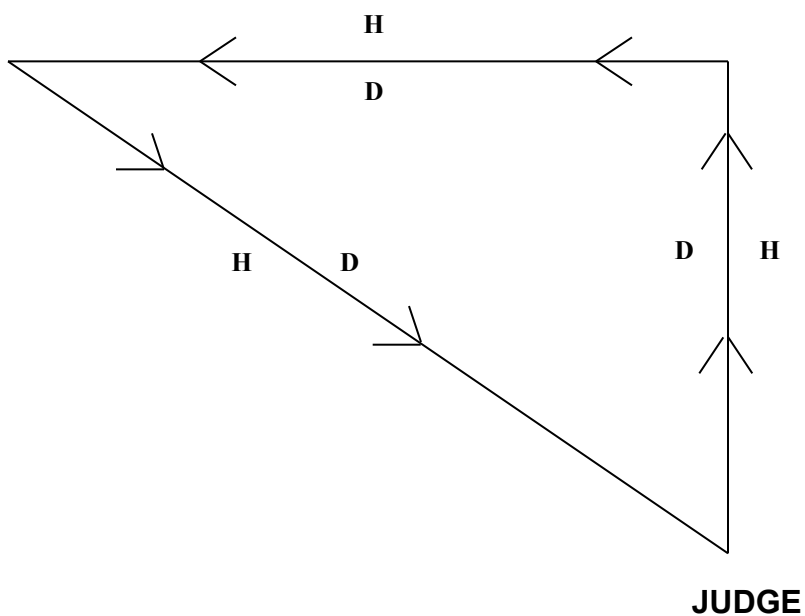
**D = DOG**

**J= JUDGE**

**H = HANDLER**

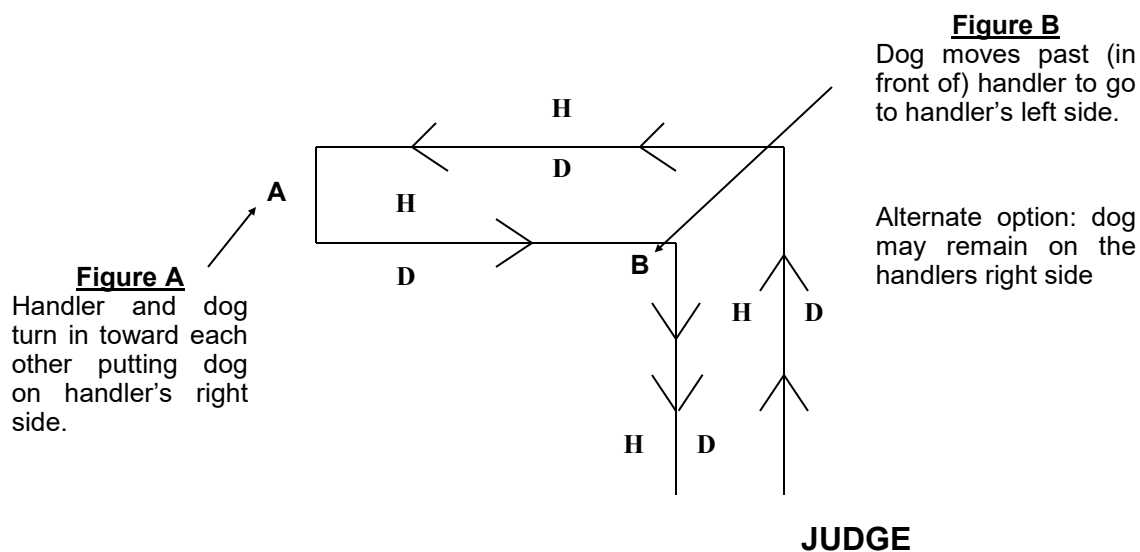
## Triangle

1st year pattern for Class 9: Jr. & Sr.



## L- Pattern

2nd year pattern & up





## **AGILITY CLASSES**

Agility is a sport where the 4-H'er and dog race through a timed obstacle course without receiving any faults from missed contacts, to knocking down bars at jumps. Please check the 4-H Agility Course work sheet at the back of the book for more information on State Fair classes. ***Emphasis will be on the safety of the handler and dog.***

**Dogs MUST have a flat collar with no tags or no collar depending on the class. Dogs' height will be taken at the first show and placed into the correct jump height for that class.**

### **Class 20– Agility Non-State Fair (These Classes are on a leash)**

**Division A– Puppy.** For the 4-H'er who has a puppy between the ages of 6 months and 15 months. This class will be done on lead with the jumps no higher than the elbows of the puppy. This is not a timed event and we use a modified score sheet.

**Division B– Beginner Pre-Novice.** For the 4-H'er who wants to compete in agility but needs to be on lead to help guide the dog through a series of 10 obstacles. There are three jump height classes: 4", 8", 12", 16" and 20". The dogs' height determines which class he/she goes into. Scoring starts at 100 points with deduction for various faults. This is not timed.

**Class 21– Agility State Fair** (These classes are off leash & dogs can be run without a collar).

**Division A– Pre Novice.** For 4-H members who have been in the program at least 1 year. There are five jump height classes: 4", 8", 12", 16" and 20". This class is done off lead, with the 4-H'er taking the dog through a series of 10 obstacles. There are no side changes except at the table. The course will be straight forward and obstacles include: no wing jumps (2 bars), open tunnel, A-frame, tire jump, table and dog walk. This is a timed event. Scoring starts at 100 points with deductions for various faults.

**Division B– Novice.** For dogs who have received a blue ribbon and/or have gone to the State Fair the previous year. This class has five jump height classes: 4", 8", 12", 16" and 20". This class will have 14-16 obstacles and the difficulty will be just a little harder, showing greater control of the dog by the handler. Obstacles in this class may include: dog walk, A-frame, broad jump, bar jump and double bar jump. There will be no weave poles or triple jump. There will be a minimum of 2 side changes and 3 challenges. Dogs may compete in this class if they have not earned a Novice title at an AKC competition (unless within 60 days of the show). Scoring will start at 100 points.

## **AGILITY CLASSES** (continued)

**Division C– Open.** For dogs who have received a blue ribbon and/or have gone to the State Fair the previous year. Jump height classes include: 4”, 8”, 12”, 16” and 20”. This class will have 16-18 obstacles, with a minimum of 3 side changes and 6 challenges. Obstacles may include: dog walk, A-frame see-saw, pause table, 6 weave poles, open tunnel, closed tunnel, bar jump, double bar jump, triple bar jump, panel jump, tire jump and broad jump. Dogs may compete in this class if they have not earned an Open title at an AKC competition (unless within 60 days of the show). Scoring will start at 100 points.

**Division D– Excellent.** For dogs and handlers who have shown mastery of the previous levels. Jump height classes include: 4”, 8”, 12”, 16” and 20”. This class will have 18-20 obstacles with a minimum of 4 side changes and 9 challenges. Obstacles may include: dog walk, A-frame, see-saw, pause table, 9-12 weave poles, open tunnel, closed tunnel, bar jump, double bar jump, panel jump, tire jump, broad jump, triple bar jump, and one bar jump. Dogs may repeat in class regardless of point score or ribbon placing at the State Fair.

**Class 22– Cloverbuds.** Follows the beginners pre-novice class using special score sheet

### Definitions To Know

**Refusal–** A faulted performance in which the dog turns away, stops in front of significantly, or runs by the intended obstacle. Also applies to a situation where the dog performs the obstacle in a manner not specified in the rulebook (jumping the wing, for example).

**Run-Out or Run by–** A specific type of refusal where a dog runs past the intended obstacle.

**Wrong Course or Off-Course–** A faulted performance in which the dog takes the wrong obstacle.

**Zooming–** Any dog who loses concentration and runs around the course in an uncontrolled manner. Also known as buzzing.

## **RALLY- OBEDIENCE CLASSES**

Rally-Obedience requires team effort where the 4-H'er and dog move through a series of stations while being timed. Unlike traditional obedience the 4-H'er can encourage the dog through verbal communication or patting their leg. There are 3 jump heights: 8", 12" and 16". Dogs will be measured at the first show and put in the proper height requirement for that class. There is a 3 minute time limit for the course. ***Emphasis is on how well the handler and dog work together through the course.***

Dogs may be shown in a flat buckle collar, a snap collar, or a plain harness and leash.

**Class 23- Rally-Obedience Novice A.** The 4-H member will take their dog through a series of 10-15 stations on leash in which an obedience movement is performed. There will be a minimum of 3 and a maximum of 5 stationary exercises per class. Dogs must not have earned an AKC Rally Novice (RN) title within 60 days of the show. This is a timed event with a maximum of 100 points possible.

**Class 24- Rally-Obedience Novice B.** For 4-H members who have competed Novice A and have gotten a blue ribbon or gone to State Fair, but not ready for the Advanced Rally class. There will be a minimum of 3 and a maximum of 5 stationary exercises per class. This is a timed event with a maximum of 100 points possible.

**Class 25- Rally Intermediate.** For 4-H members who have completed Novice B and have gotten a blue ribbon or gone to State Fair, but not ready for the Advanced Rally class. This class is a mirror image of the Advanced course but on lead and excludes jumps. The dogs are shown on lead through a series of 12-15 stations. There will be a minimum of 3 and a maximum of 7 stationary exercises. This is a timed event with a maximum of 100 points possible. You **cannot** clap or pat your leg to encourage the dog.

**Class 26- Rally-Obedience Advanced.** In this class the 4-H'er has completed Novice A and/or Novice B and has received a blue ribbon; but is not ready for the Excellent class. Dogs that have won their AKC RN title but not their Rally Advanced (RA) title. The dogs are shown off lead through a series of 12-15 stations including a jump at one station. There will be a minimum of 3 and a maximum of 7 stationary exercises. A minimum of 3 advanced level stations plus 1 jump. The height of the jump will be determined by the dogs' height. Jump heights include: 8", 12" and 16". Dogs will be measured at the first show. The jump can be one of the following: broad jump, high (panel) jump or a bar jump. This is a timed event with a maximum of 100 points possible. You **cannot** clap or pat your leg to encourage the dog.

**Class 27- Rally-Obedience Excellent.** This is a class where the 4-H'er has trained beyond the Advanced level and received a blue ribbon. The handler may not clap or pat their leg to encourage their dog but can use verbal commands, multiple commands and hand signals. The dog is shown off lead through a series of 15-20 stations. This class may include 2 jumps that may or may not be the same type. Any combination of jumps may be used including: broad jump, high (panel) jump. The height of the jump will be determined by the dogs height. Jump heights include: 8", 12" and 16". Dogs will be measured at the first show. Dogs may repeat in the class regardless of point score or ribbon placing at the State Fair. This is a timed event with 100 points possible.

**Class 28- Cloverbud.** Follows Rally Obedience Novice A (on lead) using special score sheet

## **NYS 4-H Dog Show Dress Code**

Approved by NYS 4-H Dog Program Advisory Committee

The purpose for a dress code is to support positive appearances of handlers and to maintain safety in the ring.

Judges and 4-H members shall wear suitable attire to maintain a professional appearances.

### **Grooming & Handling**

Exhibitors should be neat, clean and well groomed in appearance. They should wear clothing that is comfortable to handle in and that compliments their dog. Clothing should not hinder or detract from the presentation of the dog. Avoid excessive or oversized jewelry or any accessory that will touch or distract your dog. Judges may request you remove jewelry.

Acceptable clothing for girls is suits, dresses, skirts, dress shorts, skorts, dress slacks, dressy Capri or crop pants, collared blouses or similar attire. *Sleeveless shirts including halter-tops and tank tops are not appropriate. Do not wear short skirts, short shorts, spaghetti straps, low cut blouses, or slacks/shorts hanging too low on the waist, clothing with holes or tears in the fabric. Shirts, sweatshirts, jackets, and vests hanging too low on the waist, slogans, dog club names, etc. are not appropriate.* If a skirt is worn, care should be taken so that it does not flap in the dog's face. Acceptable clothing for boys includes dress shirts, ties and dress slacks. Sports jackets may be worn, but are not required, especially in warm weather. When wearing a tie, a tie tack should be used to hold the tie close to the shirt so it will not drape over the dog's back or get in the handler's way.

Shoes should have non-slip soles and low or no heels. *Sneakers, sandals, open-toed shoes, and clogs are not appropriate.* Hair that must be continually brushed out of the eyes or that falls over the dog when the handler is stacking is distracting. Long hair should be in a braid, ponytail or clips used to keep it out of the handler's face. Youth should practice running and bending over in their show outfits. Practice handling the dog in show clothes. *Handlers will be penalized if wearing clothing that is too tight or too revealing.* Armbands are worn on the left arm. It is important for the handler to relax, smile and act happy while showing! A pleasant attitude and good sportsmanship will go a long way toward making the handler and his or her dog a winning team.

### **Obedience: Beginner– Utility, Brace**

Exhibitors should be neat, clean and well groomed in appearance. A more casual style is acceptable when competing in Obedience than Grooming & Handling. Youth with long hair should tie it back to keep it from interfering with handling or the judge's view. They should wear clothing that is comfortable to handle in and appropriate for dog shows– not too tight or too revealing. Clothing should not distract, limit or hinder the judge's view of the dog. Plain t-shirts and dark colored (black or brown) jeans are acceptable in the Obedience ring.

*Inappropriate clothing includes shirts, jackets or other apparel with slogans, 4-H club, FFA Chapter, or dog club names, logos, etc., halters tops, tank tops, blue jeans and shorts, sandals, open toed shoes, clogs, and high-heeled shoes.*

### **Four Person**

*Same guidelines as Obedience but shirts with county or club identification are allowed. State Fair team should coordinate clothing.*

### **Drill Team**

Shirts with county or club identification, blue jeans and costumes are allowed. *Inappropriate clothing includes: halter-tops, tank tops, sandals, clogs, high heeled shoes, open toed shoes and clothing that is too tight or too revealing.* Clothing should not distract from the performance of the obedience routine or hinder the judges' view of the dogs.

### **Rally and Agility**

Sneakers, blue jeans and shorts are acceptable for Rally & Agility because events are typically held outside, rain or shine. Turf shoes are allowed for agility; shoes with cleats are not.

*Sleeveless shirts, including tank tops and halter-tops are not appropriate. Shirts sweatshirts, jackets, etc. with slogans, logos, club names are not appropriate.* Sandals, clogs, high-heels, open toed shoes and bare feet are not allowed for safety reasons.

## “Show Time”

### Looking Like A Pro

The way you and your dog look at a show makes a statement about you. You have put a great deal of time into training your dog. Now, spend some extra time on his grooming to show the world you are proud of him. This means, neatly trimming his nails and making sure his coat is well brushed and clean. Judges will be impressed by a smartly groomed dog and handler. This should not affect your score, but your joint appearance sets the tone for your whole performance in the ring. Furthermore, no judge should have to handle a dirty dog. Now that the dog is spruced up, it is time to look at the handler. Show respect for yourself and your dog by dressing nicely. Think about the styles you wear, as they may have an influence on the dog's performance. It is not a bad idea to wear pants and shoes the same color as your dark colored dog. It makes the occasional crooked sit less noticeable. A girl who wishes to wear a skirt or dress in the ring should be certain that it does not hit the dog in the face. She should wear a skirt or dress while practicing so the dog will be used to the fabric flapping between him and the handler. Chewing gum in the ring is very unprofessional. Don't forget to dress for the weather, dress neatly no matter how hot or cold but remember rain gear in foul weather. For more information on dress, please refer to **NYS 4-H Dog Show Dress Code**.

### Show Supplies

It is a good idea to make a list of things that you will need at the show and check them off your list as you load them into the car. Your list is likely to include a water bowl, water, a dog crate, treats or toys, leashes in case of breaks, grooming equipment, a towel or rug for the dog to lay on, and folding chairs for your comfort. If you are attending an outdoor show (as most 4-H shows will be) be aware that the show will go on in all kinds of weather. Carry rain gear, including extra towels to keep the dogs as dry as possible. You must also keep your dog cool in warm weather too. One idea is to carry extra ice to put in the bottom of the dog's crate. You can turn the metal crate pan upside down and put several blocks of Blue Ice underneath. BE CAREFUL, that the dog cannot reach the Blue Ice; it contains antifreeze, which is poisonous. Provide shaded crates with a light sheet or a silvered blanket that reflects the sun. Some owners of short-coated breeds provide their dogs with coats of light terrycloth dipped in cold water to help them keep cool.

### Off To The Show

It is not wise to feed your dog a big breakfast the morning of the show. You want him to be alert and ready to work for you, not stuffed and ready for a long nap. Depending on your dog, feed lightly or skip that meal all together.

Generally, you should arrive at the show at least an hour before your dog is scheduled to show. That will give you time to get all your equipment unloaded and situated near ringside. You should take a few minutes to give your dog an opportunity to relieve himself before you take him into the ring. It is a good idea to allow enough time to let your dog settle down a little and get use to all the activity around the show grounds. It is very difficult for a dog to jump out of a late arriving car, dash into the ring and turn in a good performance. Give the dog and handler every opportunity to become acquainted with where the rings are and show grounds before they actually have to be judged.

## Check Off Sheet For Show Day

1. Dog (Groomed, brushed, ears cleaned and nails clipped)
2. Leash and choke collar and showmanship leash (extra leashes are always a good idea) Flat collar and 6ft leads or other items needed for a particular class.
3. **Parent or Adult (Parent/Adult must plan to stay with their child throughout the evening.)** Shows last between 3 to 5 hours depending on the number of kids showing.
4. Dress appropriately (Look your best and wear functional shoes)
5. **Water for you dog (bring dish and gallon of water)**
6. Dog toys (squeak toy, ball, tugs, plush). To play quietly on the side while waiting at least 10 feet from arena when possible. **No Frisbee or Ball Throwing Near the Show Rings!**
7. Dog brush and grooming apron (nice to keep your clothes clean while doing last minute grooming). A lint remover is helpful when done
8. Dog crate (easier than holding dog while waiting your turn)
9. Dog treats to give the dog outside of the ring (NO TREATS IN OBEDIENCE RING)
10. Towel for dog (if hot soak in cool water to put on dog to cool him/her down)
11. Clean up tools (responsible pet owners clean up after their dogs)
12. Drink and snacks for you
13. Hand games and simple things for you to do while you wait
14. Bug spray
15. Chairs for you and your family to sit on, tents are permitted when space is available to shade yourself and your dogs from the sun or keep out of the rain.

### Enthusiasm

**Register and pick up your show number as soon as you arrive.**

**Be courteous to your fellow show members and don't throw balls or Frisbees or run and scream around the outside of the rings while others are showing. It is very disruptive to those in the ring.**

### Have Fun!!

## Recognition and Awards

1. Every 4-H member will receive a ribbon for every class they enter at the All County Shows.
2. The end of the year trophies will be awarded to each class champion provided they have attended two shows and have at least one blue ribbon.
3. The Danish system of judging is used at all 4-H Dog Obedience Shows. This means every class is divided into three (3) groups:

Blue Group   Red Group   White Group

Each participant will receive the appropriate color ribbon. Also, the first four (4) blues in each class will be designated by special ribbons.

Using the Danish system and AKC standards, the following point system has been developed for the purpose of selecting class champions and State Fair representatives:

### Obedience

Classes 1-5: Beginners Novice A, Beginners Novice B, Graduate Beginners Novice A & Graduate Beginners Novice B

#### **County & State Shows' Scoring:**

170-200 = Excellent Blue Award	150-169 = Very Good Red Award	0-149 = Worthy White Award
-----------------------------------	----------------------------------	-------------------------------

Classes 6-12: Novice, Advanced Novice, Graduate Novice, Open & Utility

#### **County & State Shows' Scoring:**

170-200 = Excellent Blue Award	150-169 = Very Good Red Award	0-149 = Worthy White Award
-----------------------------------	----------------------------------	-------------------------------

Classes 13 & 14: Brace Teams– Beginner Brace & Brace (State Fair Level)

#### **County & State Shows' Scoring:**

340-400 = Excellent Blue Award	300-339 = Very Good Red Award	0-299 = Worthy White Award
-----------------------------------	----------------------------------	-------------------------------

Classes 15 & 16: Four-Person Team– Beginner & Four-Person Team (State Fair Level)

#### **County & State Shows' Scoring:**

680-800 = Excellent Blue Award	600-679 = Very Good Red Award	0-599 = Worthy White Award
-----------------------------------	----------------------------------	-------------------------------

## Grooming & Handling

### Classes 20: All Grooming & Handling Classes

#### **County & State Shows' Scoring**

86-100 = Excellent  
Blue Award

71-85 = Very Good  
Red Award

0-70 = Worthy  
White Award

## AGILITY

### Class 21 (Non State Fair) Division A & B

#### **County Shows' Scoring**

86-100 = Excellent  
Blue Award

70-85.5 = Very Good  
Red Award

0-69 = Worthy  
White Award

### Class 22 (State Fair) Division A– Pre Novice & Division B Novice

#### **County & State Shows' Scoring**

86-100 = Excellent  
Blue Award

70-85.5 = Very Good  
Red Award

0-69 = Worthy  
White Award

### Class 22 (State Fair) Division C– Open

#### **County & State Shows' Scoring**

91-100 = Excellent  
Blue Award

70-90.5 = Very Good  
Red Award

0-69 = Worthy  
White Award

## RALLY

### For all Classes: 23, 24, 25, 26 & 27

#### **County Show's Scoring**

86-100 = Excellent  
Blue Award

70-85.5 = Very Good  
Red Award

0-69 = Worthy  
White Award

### Who is Eligible for State Fair

1. **Scores are determined by the highest two scores, the third score is used to break ties. There must be at least one qualifying score, blue ribbon.**
2. The **TOP THREE (3) Blue Award** members in Classes 1-8 for Obedience, Class 20 for Grooming and Handling, Class 19 for Service Dog, Class 22 for Agility, and Classes 25-28 for Rally Obedience, will be eligible for State Fair.
3. The **TOP TWO (2) Blue Award** members in Grooming/Handling B; Jr. & Sr.; Class 13 for Brace, Class 15 for Four-Person Team,
4. A 4-H'er may show only one dog in each obedience class at State Fair in any one year. More than one dog can qualify if they are in separate Obedience classes.



## **New York State Fair 4-H Dog Program**

County representatives to State Fair should consider participation in the State 4-H Dog Show a great honor and privilege, as they will be showing against some of the best from across New York State!

The primary objectives of the NYS 4-H Dog Show is to develop in the participants, exhibitors, and their parents; the proper attitudes of citizenship and sportsmanship in keeping with all 4-H activities, in addition, the 4-H Dog Show is designed to:

1. Provide additional opportunity for the best county dog project members to demonstrate their abilities and skills beyond the county level and in competition with others of similar skill and ability.
2. Provide opportunity to place 4-H before the public.
3. Provide an opportunity for youth to meet and compete with their peers from the rest of the State.

Members selected for State Fair should study their class rules, and abide by the NYS 4-H DOG SHOW DRESS CODE as there are some changes at State Fair.

Also, members should plan to attend the meeting for State Fair exhibitors to be held in August. State Fair has a quota per county classes (This is subject to change at the State level). For the working classes (obedience), the limit is three (3) entries per county. For showmanship (grooming & handling), Rally and Agility: three (3) in each division. State Fair Board requests volunteers to participate as Ring Stewards. Members will receive financial compensation.

All Dog Project members attending State Fair or not, can participate by submitting a dog poem (s) and/or dog photograph (s) to be displayed in the dog booth. Poems and photographs will be judged. Individuals can submit up to 3 poems and 3 photographs.



# Judging 4-H Dog Classes

## General Philosophy

The ultimate goal of 4-H is not the training of dogs, but rather the training of young people. The dog is used as a medium for this training. In the process of working with their pet, the 4-H member will be met with challenges, responsibilities, successes and failures; which help them grow and mature as a person.

## Your Role as a Judge

As a judge of a 4-H dog show, you are in a unique position to assist in the development of young people. These 4-H members will look to you as the expert and as the evaluator of their progress.

## Some Guidelines

In addition to your own good judgment and your knowledge of dogs and obedience work, it is helpful to do the following:

Know the expectations of the various levels— judging beginners by the same standards as advanced members is quite unfair. By the same token, being too easy on advanced members will take away from their development. An explanation of expectations of various class levels is found within this booklet. If you are still confused, plan to thoroughly discuss this aspect with the show committee before you judge your first class. Feel free to call a committee member at any time.

Put exhibitors at ease— some of the youth you judge will be frightened and nervous as they enter the ring. Some are afraid of you (even though your friends will all think you're a nice person). A smile and a few pleasant words will go a long way to change your image from an ogre to a human being.

Set a happy mood! Every 4-H show should be fun, not a serious encounter between exhibitors and judge nor contestant versus contestant. Sometimes the youth are tense and subdued because they know they will soon be tested. You can help set a happy mood with a few smiles and an attitude that this is a fun experience.

Point out the mistakes, particularly in Beginner Classes. You will note many handler's errors. Before the exhibitor leaves the ring you will want to inform them of the error and how they may correct it. With the show committee's approval, you may want to demonstrate some points.

*Within the limits of time, each 4-H show should be educational. You are in an excellent position to pass on some of your knowledge to young people. Use your Opportunity!!!*

- Criticize constructively, most of the mistakes you observe are a result of the youth not knowing or understanding the proper technique. Thus when you critique, do it in a positive manner. You won't hurt any feelings when you offer helpful suggestions for improvement and do it in the same manner you would use when talking to your boss.
- Judge has the authority to deduct up to 30 points for improper dress code.

**PRAISE— you can find something nice to say even in the poorest performances!!**

## **4-H Grooming & Handling Guidelines for 4-H Judges**

1. The individual quality (apart from cleanliness and appropriate grooming) or breed of the dog itself should not affect your decision in judging the handling techniques of the exhibitor.
2. Condition of the animal (weight, coat conditioning, etc.) is important but professional grooming is not to be considered over a dog that is better prepared in overall performance.
3. Handlers should be dressed appropriately for a dog show; they should be dressed in a neat and clean appealing manner. Please refer to the 4-H NYS Dog Show Dress Code.
4. The dog should be groomed, clean and trimmed according to the fashion of the breed. Toenails to be included. Excessive grooming in the ring, particularly if such grooming is done in an obvious manner, is to be faulted.
5. Dog and handler should work smoothly together as a team. The dog and handler should show obvious signs of practice, quickness, smoothness and alertness on the part of both the dog and the handler; this is greatly favored. Handlers should show their dogs in a natural manner (over handling should be faulted).
6. Handlers should not discipline their dogs in the ring, unless the dogs are fighting.
7. Any animal who fouls in the ring (eliminates or defecates) during a county show will lose points as follows: Non-State Fair Grooming & Handling Classes will lose 5 points from their score and State Fair Classes will lose 10 points. Please note that at the State Fair competitions they deduct 15 points from the score.
8. Judge fairly according to the expectations of the class, score the youth exactly as they deserve. Extremely strict scoring may lead to discouragement. Too lenient scoring contributes to a false sense of accomplishment and reduces the challenge. Basically, we hope to challenge the youth without defeating them.

# Sample Document Only

## NEW YORK STATE 4-H DOG PROGRAM GROOMING & HANDLING A

Date: \_\_\_\_\_ Dog Number: \_\_\_\_\_

Show: \_\_\_\_\_ Breed: \_\_\_\_\_

	POINTS FOR CONSIDERATION	Max Points	Points Lost	Net Score
Appearance				
Dog's Condition and appearance	<input type="checkbox"/> Unbrushed, mats showing <input type="checkbox"/> Ears dirty <input type="checkbox"/> Nails too long <input type="checkbox"/> Obviously overweight <input type="checkbox"/> Coat & skin unclean, parasites obvious <input type="checkbox"/> Eyes not clean or clean <input type="checkbox"/> Teeth not scaled and clean	<b>30</b>		
Equipment & Handler's Appearance/ Attitude	<input type="checkbox"/> Clothes too short or tight <input type="checkbox"/> Inappropriate footwear <input type="checkbox"/> Doesn't appear to be enjoying him/her self <input type="checkbox"/> Excessive roughness <input type="checkbox"/> Inappropriate collar/leash <input type="checkbox"/> Does not follow the judges Instructions <input type="checkbox"/> Clothes too casual <input type="checkbox"/> hair in eyes/face <input type="checkbox"/> Rude to judge or other handler's <input type="checkbox"/> Distracted by activity outside the ring <input type="checkbox"/> Does not have control of dog at all times <input type="checkbox"/> Other	<b>15</b>		
Handling of Animal	Subtotal	<b>45</b>		
Set-Up of Dog	<input type="checkbox"/> Not stacking correctly (tail, head, other) <input type="checkbox"/> Handler in wrong position <input type="checkbox"/> Handler not paying Attention to judge and/or Dog <input type="checkbox"/> Shows bit incorrectly <input type="checkbox"/> Incorrect placement of feet <input type="checkbox"/> Dog not under control <input type="checkbox"/> Over handling <input type="checkbox"/> Excessive grooming <input type="checkbox"/> Other	<b>20</b>		
Gating	<input type="checkbox"/> Moving too fast <input type="checkbox"/> Lead too tight <input type="checkbox"/> Lead too loose <input type="checkbox"/> No courtesy turn <input type="checkbox"/> Not moving in a straight line <input type="checkbox"/> Over handling <input type="checkbox"/> Moving too slow <input type="checkbox"/> Lack of natural smoothness <input type="checkbox"/> Comes between judge and dog <input type="checkbox"/> Handwork wrong or awkward	<b>25</b>		
Knowledge Questions	1. _____ _____	<b>10</b>		
	TOTAL	<b>100</b>		

LESS POINTS FOR HARSH DISCIPLINING, POOR SPORTSMANSHIP  
OTHER: EXPLANATION

Total Net Score

Agility Score Sheet: Pre-Novice

Preferred Agility Class

Jump Height (circle one) **4"** **8"** **12"** **16"** **20"**  
 Dogs measured at withers 11" or under 14" or under 18" or under 22" or under above 22"

Breed: \_\_\_\_\_ Exhibitor # \_\_\_\_\_

Dogs must be off leash; flat buckle or no collar. Training collars are not allowed. No toys or treats in the ring

Actual Time: _____ Std. Course Time (SCT): _____ Time Over SCT: _____ Total Time Faults: _____	Maximum course time will be twice the SCT. The handler will be asked to leave the course if they exceed the maximum course time.  Decimal round down  1 fault per second		
Judge's Signals: R W T F E			
Wrong Course	W = Raised Open Hand	X 5 =	
Table Fault: includes on/off Table: anticipation of count	T = "t" w/ both hands or 2 Fingers	X 5 =	
Failure to Complete Obstacle: Includes knocked bars, missed Obstacles, missed contact Zones, see-saw fly-off	F = Raise Two Open Hands	X 15 =	
Fouling the Ring		X15 =	
Interference or Outside Assistance		X5 =	
<b>Total Course Faults</b>			
Blue = 86-100 Red = 70-85.5 White = below 70	Start Value 100 Less Time Faults Less Course Faults Less Other Deductions <b>Final Score</b>		

Excusal

E= Whistle

White Ribbon– No Time

Handler touches obstacle or dog; exceeding Maximum course Time; dog leaves the course area and stops working.

If a dog leaves the course as a result of fear or distraction the performance must be scored as non-qualifying. If the dog leaves the ring as a result of over-exuberance or miscalculation while working, such as being unable to stop, but returns immediately on command, no deduction will be assessed.

# Rally O

## SAMPLE DOCUMENT ONLY

Date: \_\_\_\_\_

Arm Band Number: \_\_\_\_\_

Show: \_\_\_\_\_

Breed: \_\_\_\_\_

Maximum Deduction	Deduction	Station #	Points Lost
<b>1 Point</b>	Tight Leash		
	Poor Sits		
	Interface with Handler		
	Slow to Respond		
	Resistance to Respond		
	Lack of Team Work		
	Out of Position		
<b>3 Points</b>	Repeat of a Station		
	Pylon Knocked Over		
	Lack of Control		
	Loud Command or Intimidating Signal		
	Excessive Barking		
<b>10 Points</b>	Incorrectly Performed Station		
<b>1-10 Points</b>	Lack of Teamwork		
	Lack of Briskness		
	Handler Error		
<b>NQ/ 30 Points</b>	Minimum Requirements Not Met		
	Dog Unmanageable		
	Station not attempted		
	Consistently Tight Lead		
	Substantially out of Position		
	Eliminates in the Ring		
	Handler Error		

There will be a 3 minute course limit any special needs should have been reported to superintendent on entry form

### Comments:

Blue: 86-100  
 Red: 70-85.5  
 White: Below 70

**Possible Score**    **100**  
**Deductions** \_\_\_\_\_  
**Total Score** \_\_\_\_\_  
**Time** \_\_\_\_\_